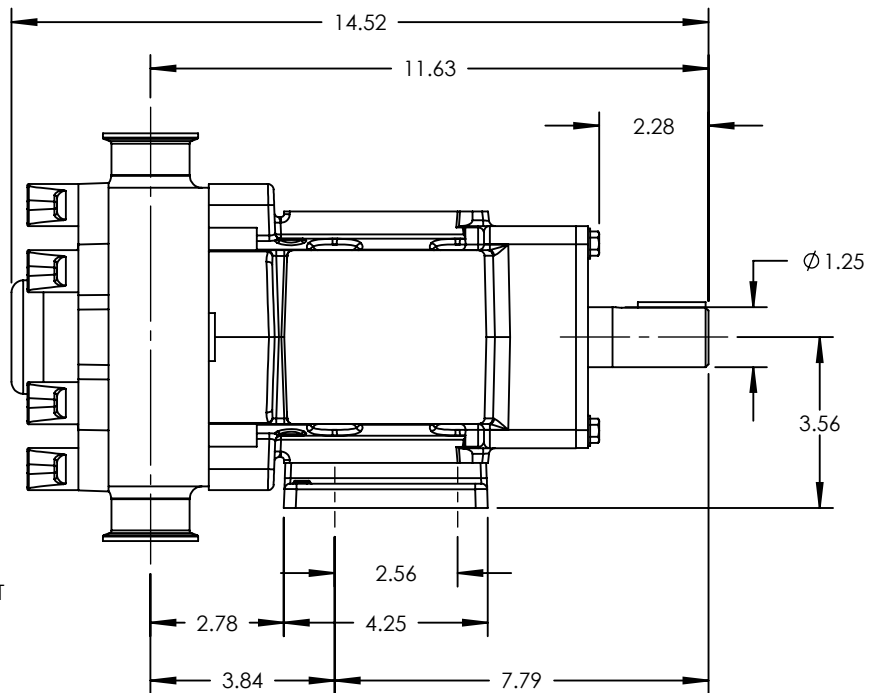
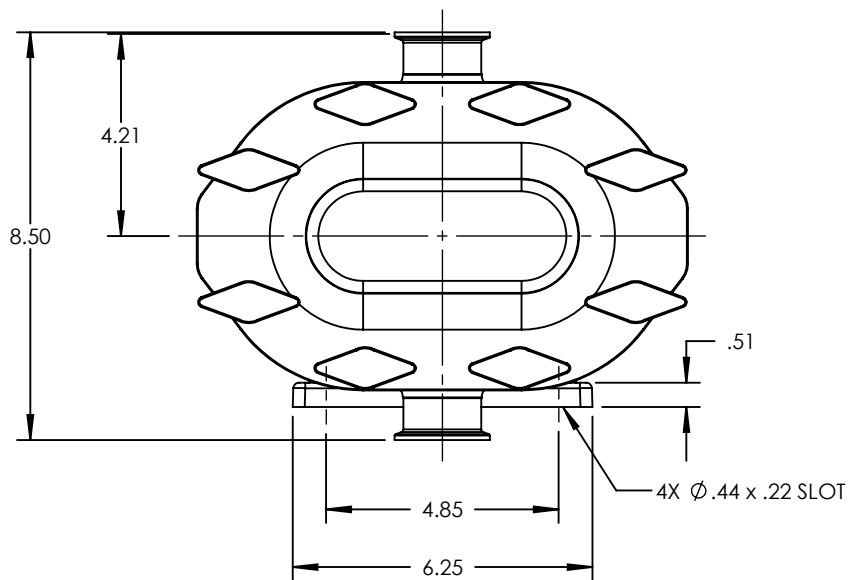
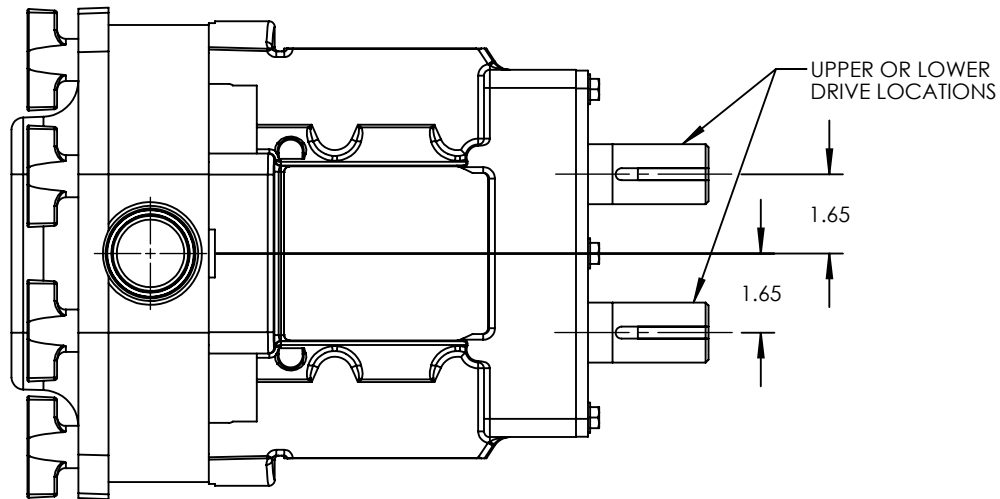



PUMP MODEL	TRA10-0300
ORIENTATION	VERTICAL
COVER TYPE	STANDARD
INLET	1.5" TRI-CLAMP
DISCHARGE	1.5" TRI-CLAMP
SPECIALS	NONE



NOTES:

1. THIS IS NOT A CERTIFIED DRAWING. USE FOR GENERAL INSTALLATION ONLY.

STATE	Released	12/10/2013	DIMENSIONS ARE IN INCHES	 Wrightflow Technologies, A Unit of IDEX Corporation Cedar Falls, IA 50613 U.S.A. Eastborne, East Sussex, BN23 6PT UK	THIS DRAWING IS THE PROPERTY OF WRIGHTFLOW TECHNOLOGIES AND IS PROPRIETARY IN GENERAL AND DETAIL. IT SHALL NOT BE COPIED OR ITS CONTENTS REVEALED TO OUTSIDE PARTIES WITHOUT THE WRITTEN CONSENT OF WRIGHTFLOW TECHNOLOGIES	<b>3D</b> DWG. NO. TRA10-0300-005	SHEET 1 OF 2	REV. A.0
DRAWN	cneff	10/15/2013						
CHECKED	MPS	10/30/2013	WAS:					