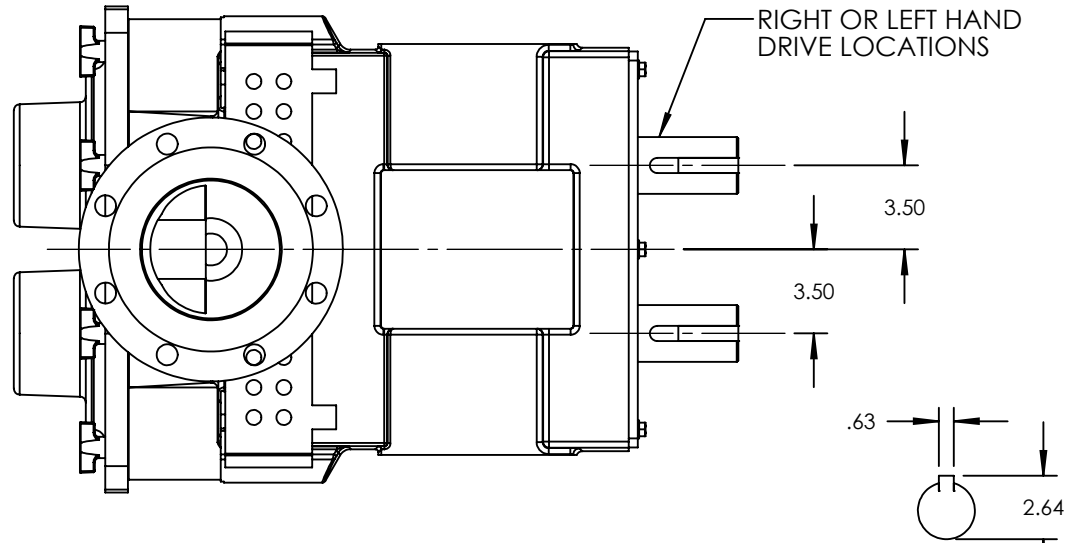
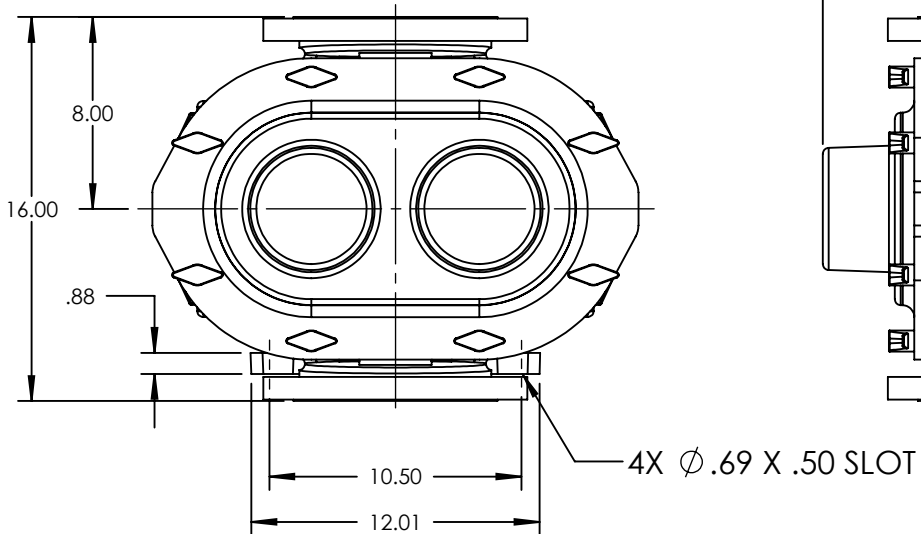
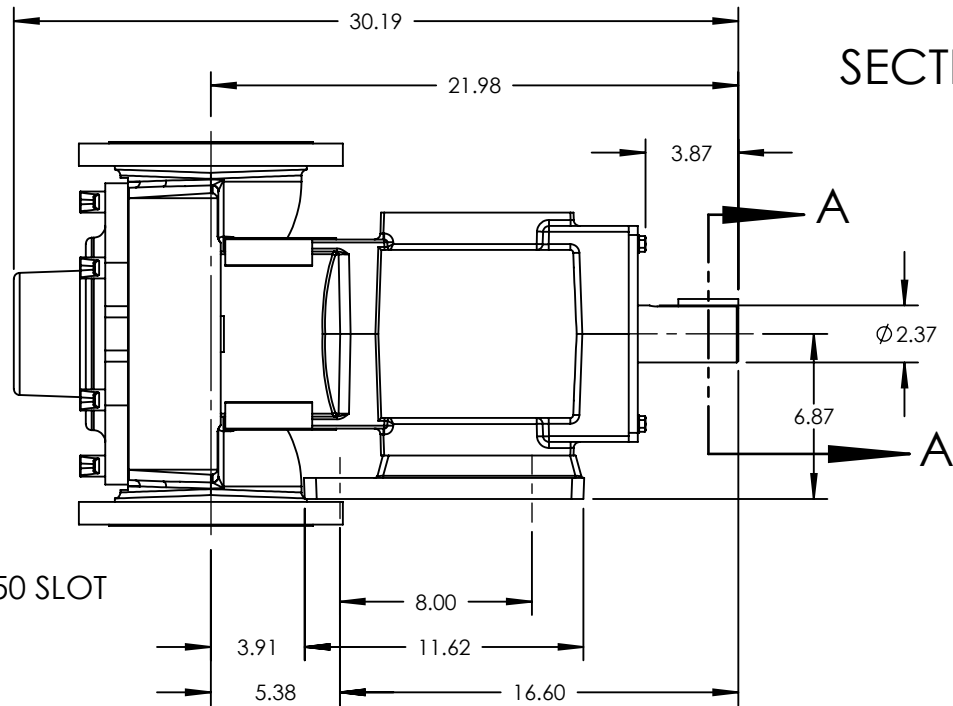


PUMP MODEL	TRA10-3200
ORIENTATION	VERTICAL
COVER	STANDARD
INLET	6.0" ANSI CLASS 150 RAISED FACE FLANGE
DISCHARGE	6.0" ANSI CLASS 150 RAISED FACE FLANGE
SPECIALS	NONE



SECTION A-A



NOTES:

1. THIS IS NOT A CERTIFIED DRAWING. USE FOR GENERAL INSTALLATION ONLY.

STATE	Released	12/17/2013	DIMENSIONS ARE IN INCHES
DRAWN	cneff	10/24/2013	
CHECKED	MPS	12/14/2013	PROJECT: WAS:



THIS DRAWING IS THE PROPERTY OF WRIGHTFLOW TECHNOLOGIES AND IS PROPRIETARY IN GENERAL AND DETAIL. IT SHALL NOT BE COPIED OR ITS CONTENTS REVEALED TO OUTSIDE PARTIES WITHOUT THE WRITTEN CONSENT OF WRIGHTFLOW TECHNOLOGIES

3D

DWG. NO. TRA10-3200-004
SHEET 1 OF 2

REV. A.0
12/17/2013