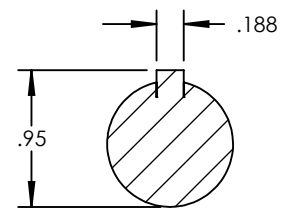
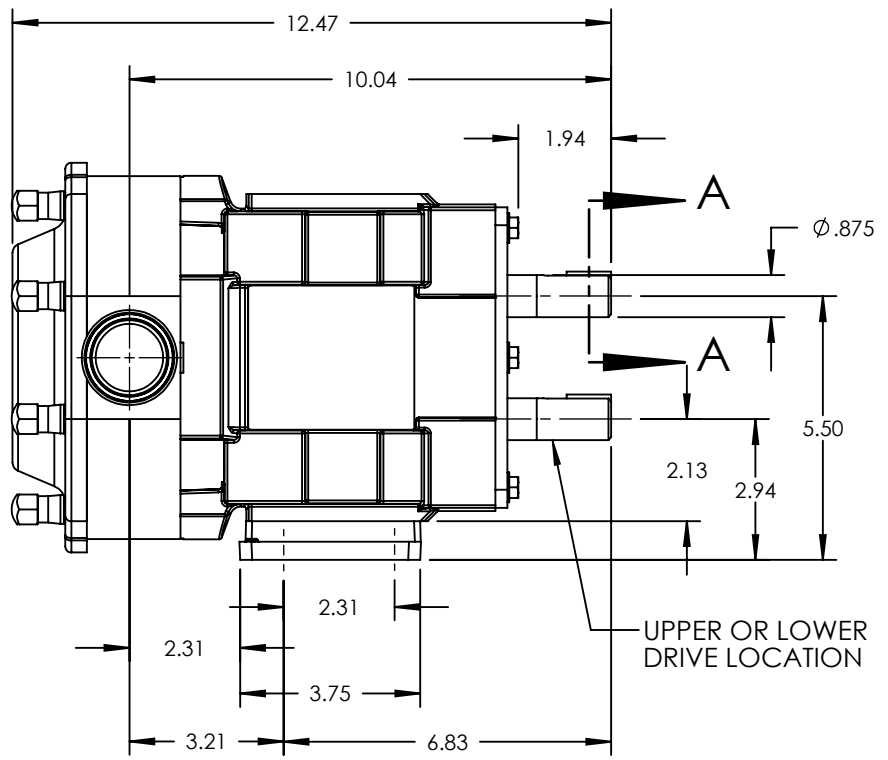
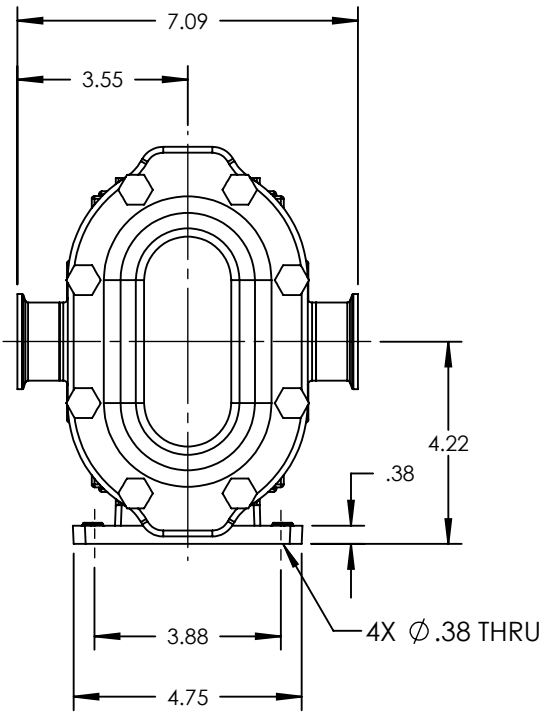



PUMP MODEL	TRA20-0180
ORIENTATION	HORIZONTAL
COVER TYPE	STANDARD
SUCTION	1.5" TRI-CLAMP
DISCHARGE	1.5" TRI-CLAMP
SPECIALS	NONE



SECTION A-A
SCALE 3 : 4



NOTES:
1. THIS IS NOT A CERTIFIED DRAWING. USE FOR GENERAL INSTALLATION ONLY.

STATE	Released	08/13/2013	DIMENSIONS ARE IN INCHES	 Wrightflow Technologies, A Unit of IDEX Corporation Cedar Falls, IA 50613 U.S.A. Eastborne, East Sussex, BN23 6PT UK	THIS DRAWING IS THE PROPERTY OF WRIGHTFLOW TECHNOLOGIES AND IS PROPRIETARY IN GENERAL AND DETAIL. IT SHALL NOT BE COPIED OR ITS CONTENTS REVEALED TO OUTSIDE PARTIES WITHOUT THE WRITTEN CONSENT OF WRIGHTFLOW TECHNOLOGIES	3D	DWG. NO.	SHEET 1 OF 2	REV. B.0
DRAWN	cneff	8/9/2013					PROJECT:	TRA20-0180-001	08/13/2013
CHECKED	MPS	08/12/2013	WAS:						