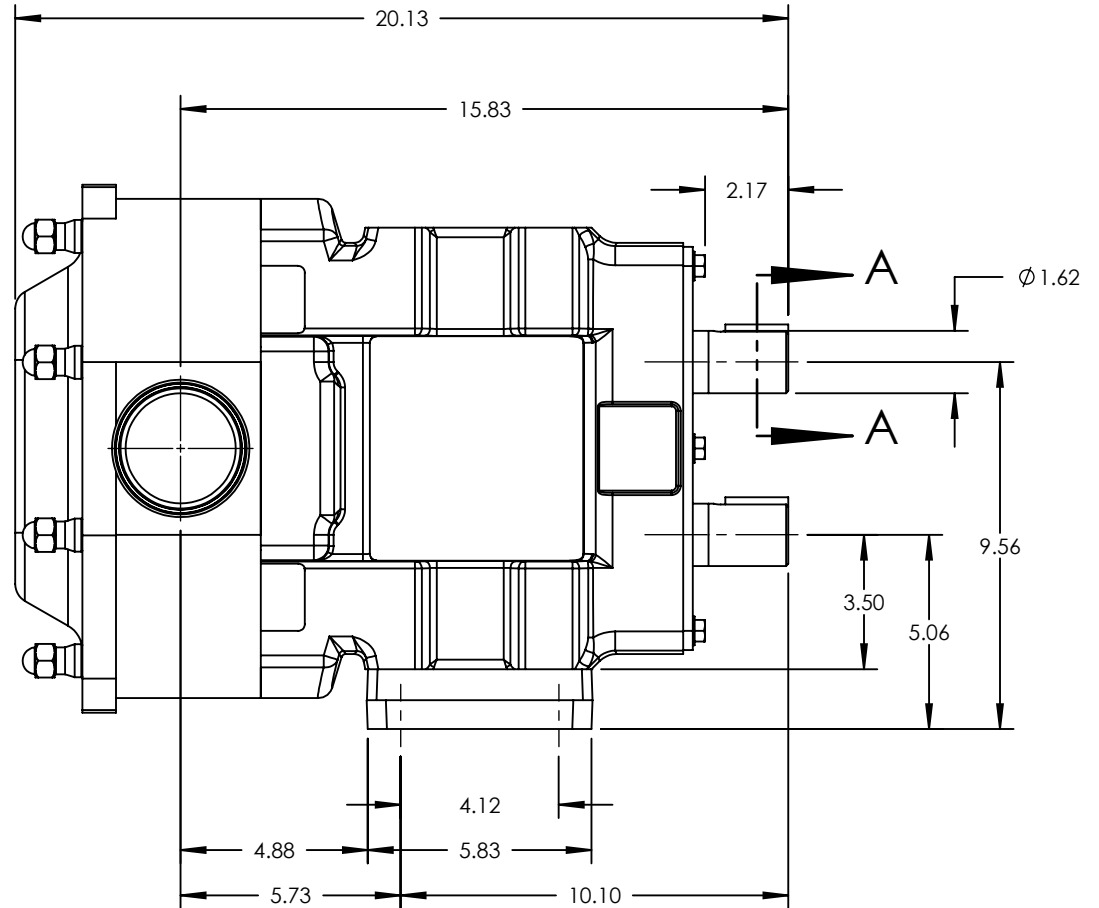
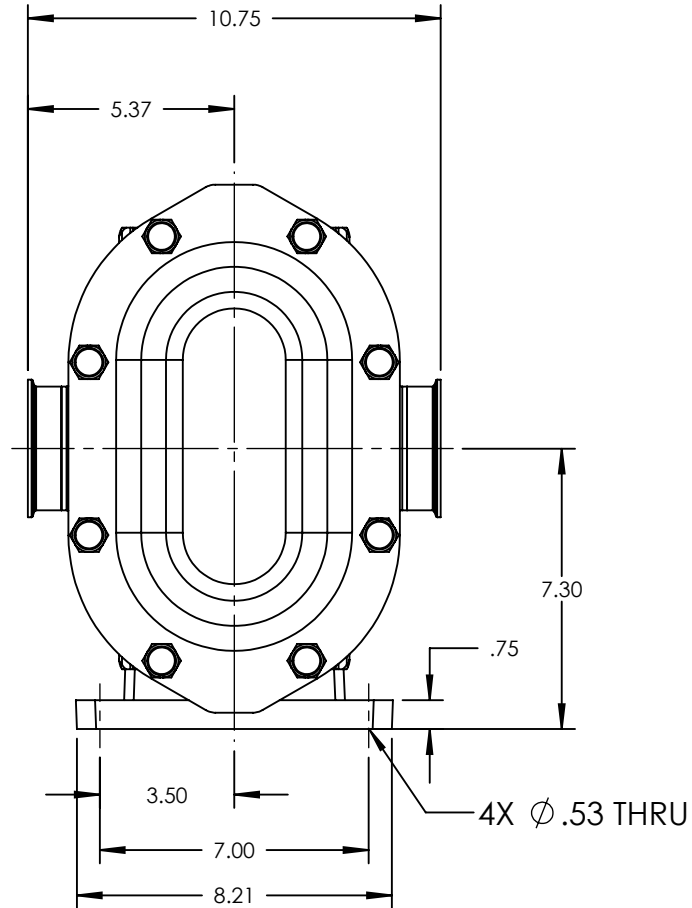
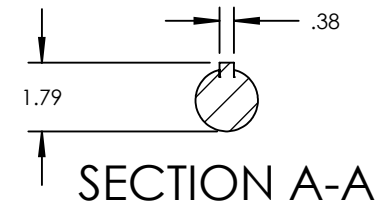


PUMP MODEL	TRA20-1300
ORIENTATION	HORIZONTAL
COVER TYPE	STANDARD
INLET	3.0" TRI-CLAMP
DISCHARGE	3.0" TRI-CLAMP
SPECIALS	NONE



NOTES:

1. THIS IS NOT A CERTIFIED DRAWING. USE FOR GENERAL INSTALLATION ONLY.

STATE	Released	10/02/2013	DIMENSIONS ARE IN INCHES
DRAWN	cnff	9/30/2013	
CHECKED	MPS	10/01/2013	
PROJECT:			WAS:
WAS:			



THIS DRAWING IS THE PROPERTY OF WRIGHTFLOW TECHNOLOGIES AND IS PROPRIETARY IN GENERAL AND DETAIL. IT SHALL NOT BE COPIED OR ITS CONTENTS REVEALED TO OUTSIDE PARTIES WITHOUT THE WRITTEN CONSENT OF WRIGHTFLOW TECHNOLOGIES

3D

DWG. NO.	SHEET 1 OF 2
TRA20-1300-001	

REV. C.0
10/02/2013