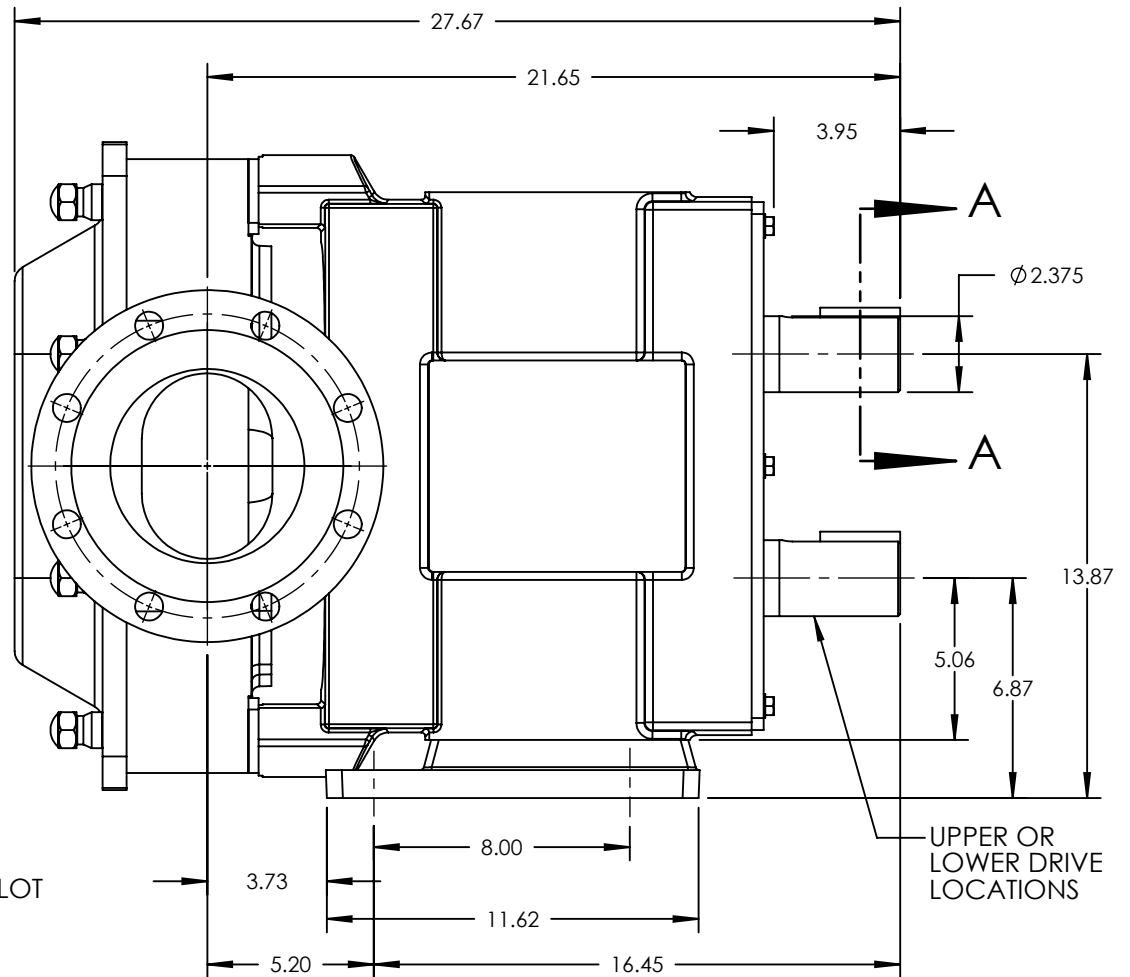
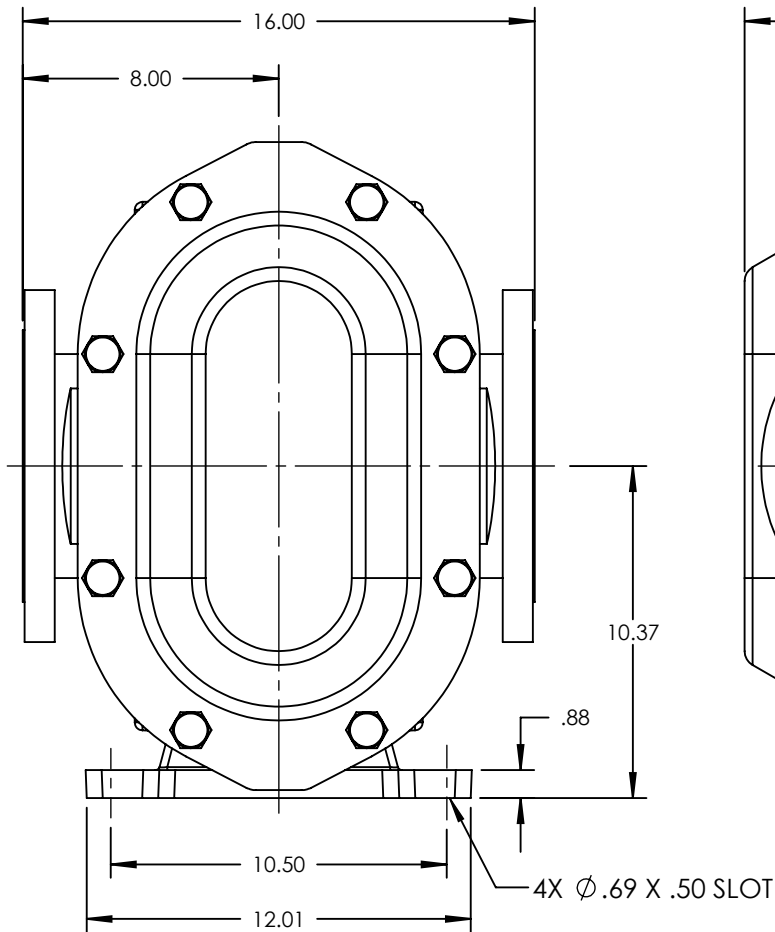
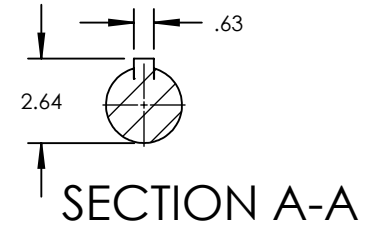


PUMP MODEL	TRA20-3200
ORIENTATION	HORIZONTAL
COVER TYPE	STANDARD
INLET	6.0" ANSI/ASA CLASS 150 RAISED FACE FLANGE
DISCHARGE	6.0" ASA/ANSI CLASS 150 RAISED FACE FLANGE
SPECIALS	NONE



NOTES:

1. THIS IS NOT A CERTIFIED DRAWING. USE FOR GENERAL INSTALLATION ONLY.

STATE	Released	11/15/2013	DIMENSIONS ARE IN INCHES		<small>Wrightflow Technologies, A Unit of IDEX Corporation Cedar Falls, IA 50613 U.S.A. Eastborne, East Sussex, BN23 6PT UK</small>	<small>THIS DRAWING IS THE PROPERTY OF WRIGHTFLOW TECHNOLOGIES AND IS PROPRIETARY IN GENERAL AND DETAIL. IT SHALL NOT BE COPIED OR ITS CONTENTS REVEALED TO OUTSIDE PARTIES WITHOUT THE WRITTEN CONSENT OF WRIGHTFLOW TECHNOLOGIES</small>	<b>3D</b>	DWG. NO.	SHEET 1 OF 2	REV. B.0
DRAWN	cmihm	1/3/2013						PROJECT:	TRA20-3200-001	
CHECKED	MPS	11/14/2013	WAS:							